

20/21
PRODUCTS

Product Catalogue

Aluminum Louver

Type (ALV)



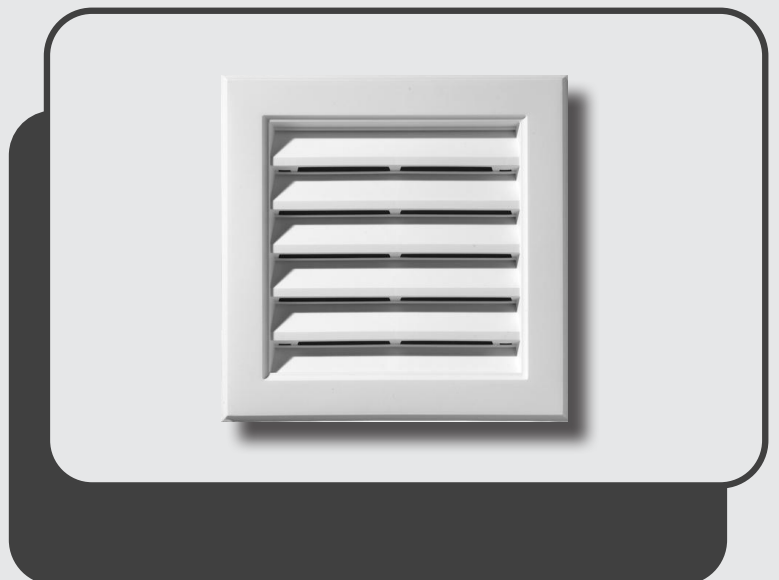
Khedr Trust
ALL AIR PRODUCTS

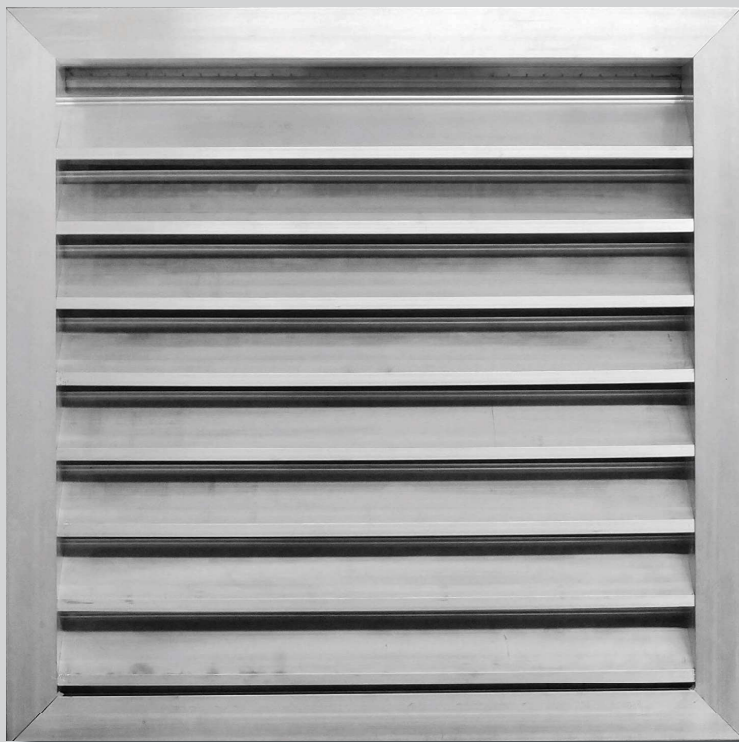
Aluminum Louver products are
manufactured by



“Your comfort is
our priority”

www.khedr-eg.com





Models

- ALV-EL - Exhaust & Supply Louvers
- ALV-PH - Penthouse Louvers



Features

- Frame and blades are extruded aluminum alloy.
- Can be manufactured from GI or St.s as option.

Aluminum Louver

Model Design

Khedr Aluminum Louvers are designed for ventilation applications.

Model Use

For supply applications can be provided with volume damper to control the amount of air.

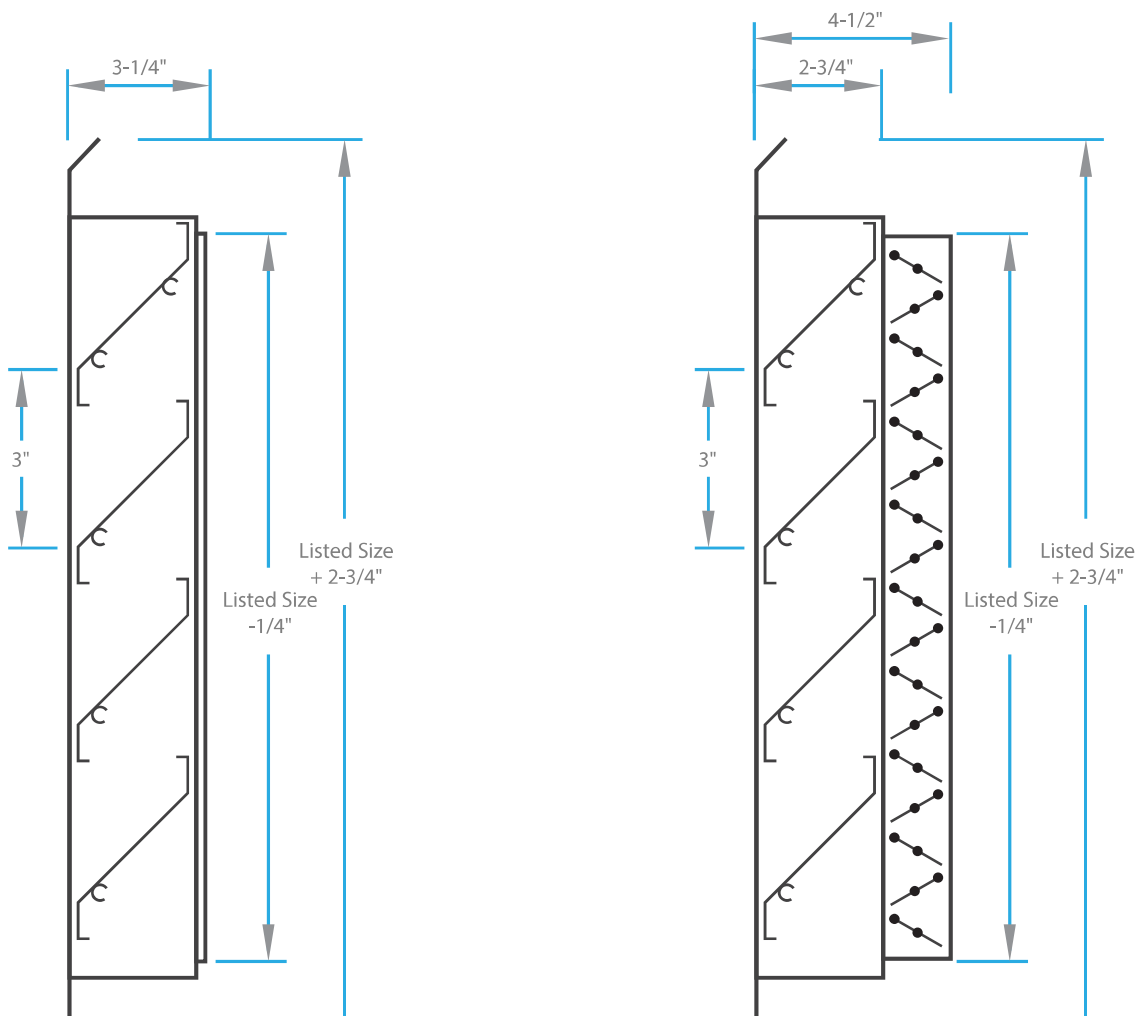
Filters

Also can provided with suitable filters and bird screen.

- Construction & Specs.

A- Type (ALV-EL) - Exhaust Louvers

- Frame and blades are extruded aluminum alloy.
- The frame and blades have atypical wall thickness of 1/16".
- The blades are spaced 3" on center and are set at 45° to the horizontal.
- An expanded bird screen is attached to the interior face of the louver.



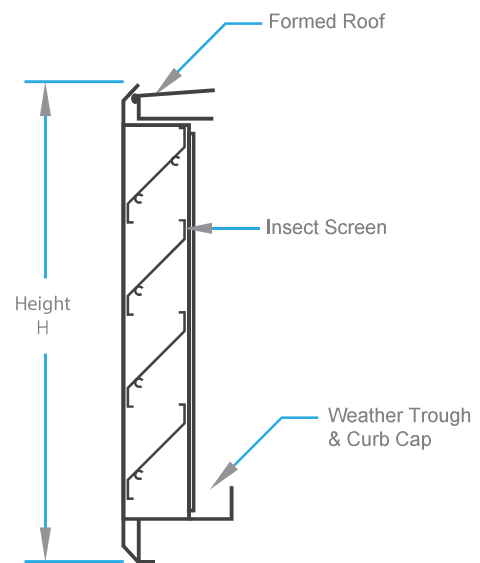
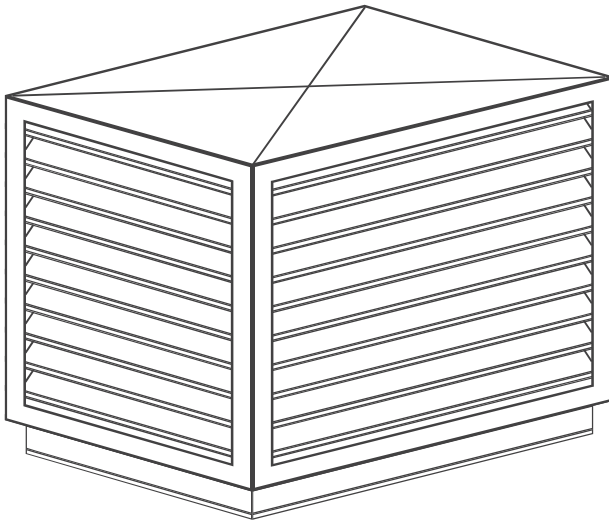
Fixed Blades with Bird Screen

Fixed Blades with Bird Screen and
Volume Damper

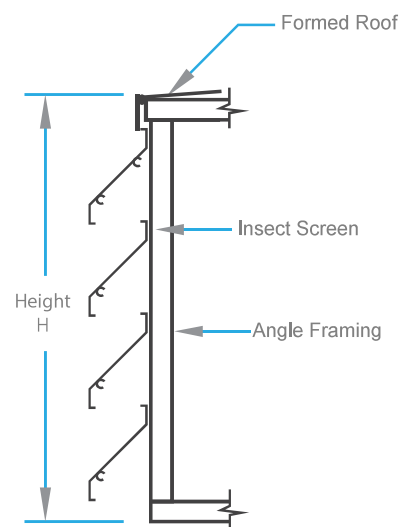
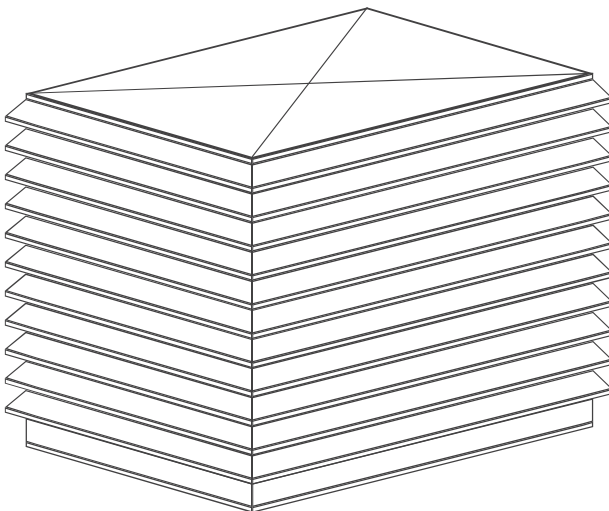
B. Type (ALV-PH) – Penthouse Louvers

- Penthouse Louvers are designed for roof mounted units designed for air intake, pressure relief and exhaust applications.
- Frame and blades are extruded aluminum alloy.
- The frame and blades have atypical wall thickness of 1/16”.
- The top of the unit is covered with hinged access door for easy access.

A. Mullion Corner



B. Mitered Corner



- Performance Data
A- Type (ALV-EL) - Exhaust & Supply Louvers
Free Area "Ft²"

Height (Inch)	Width (Inch)												
	12	14	16	18	20	24	30	36	42	48	54	60	72
12	0.22	0.26	0.30	0.34	0.38	0.46	0.58	0.70	0.82	0.94	1.06	1.18	1.42
16	0.37	0.43	0.50	0.57	0.64	0.77	0.98	1.18	1.38	1.59	1.79	1.99	2.40
20	0.52	0.61	0.71	0.80	0.90	1.09	1.38	1.66	1.95	2.24	2.52	2.81	3.38
24	0.67	0.79	0.91	1.04	1.16	1.41	1.78	2.15	2.52	2.89	3.26	3.63	4.37
28	0.82	0.97	1.12	1.27	1.42	1.72	2.18	2.63	3.08	3.54	3.99	4.44	5.35
32	0.97	1.04	1.32	1.50	1.68	2.04	2.58	3.11	3.65	4.18	4.72	5.26	6.33
36	1.12	1.32	1.53	1.74	1.94	2.36	2.98	3.60	4.22	4.84	5.46	6.08	7.32
40	1.27	1.50	1.73	1.97	2.20	2.67	3.38	4.08	4.78	5.49	6.19	6.89	8.30
44	1.41	1.68	1.94	2.20	2.46	2.98	3.78	4.55	5.34	6.12	6.91	7.69	9.26
48	1.57	1.86	2.15	2.44	2.73	3.31	4.18	5.05	5.92	6.79	7.66	8.53	10.27
52	1.72	2.03	2.35	2.67	2.99	3.62	4.58	5.53	6.48	7.44	8.39	9.34	11.25
56	1.87	2.21	2.56	2.90	3.25	3.94	4.98	6.01	7.05	8.08	9.12	10.16	12.23
60	2.02	2.39	2.76	3.14	3.51	4.26	5.38	6.50	7.62	8.74	9.86	10.98	13.22

Aluminum Louver products are manufactured by Khedr Trust Co.

B. Type (ALV-PH) – Penthouse Louvers

i. Pressure Drop

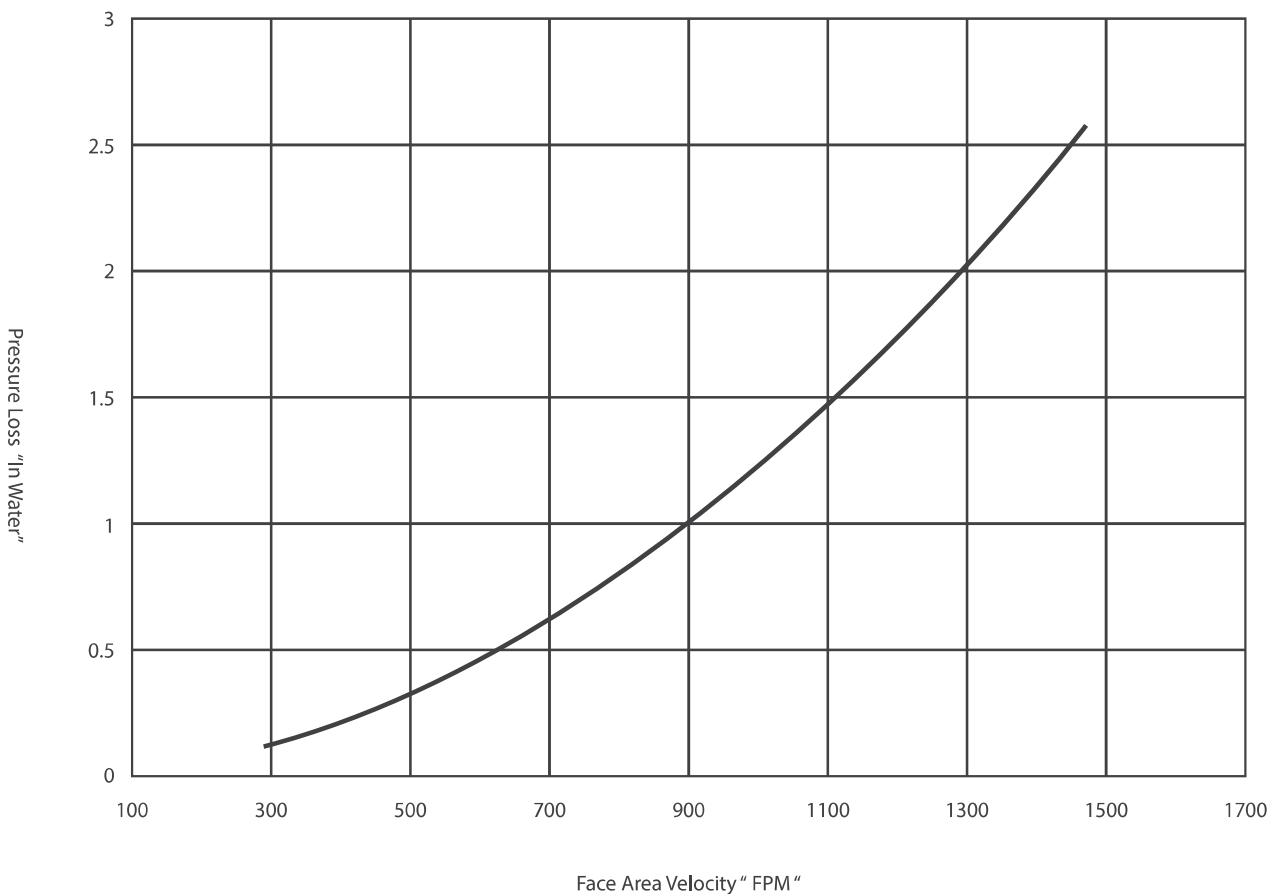
Face Velocity "FPM"		200	300	400	500	600	700	800	900	1000	1100	1200	1300	1400	1500
Pressure Drop "In. W.G"	Intake	0.007	0.016	0.028	0.044	0.062	0.087	0.112	0.143	0.173	0.212	0.252	0.296	0.344	0.395
	Exhaust	0.007	0.018	0.031	0.049	0.069	0.096	0.124	0.158	0.192	0.235	0.279	0.328	0.381	0.436

- Aerodynamic Data

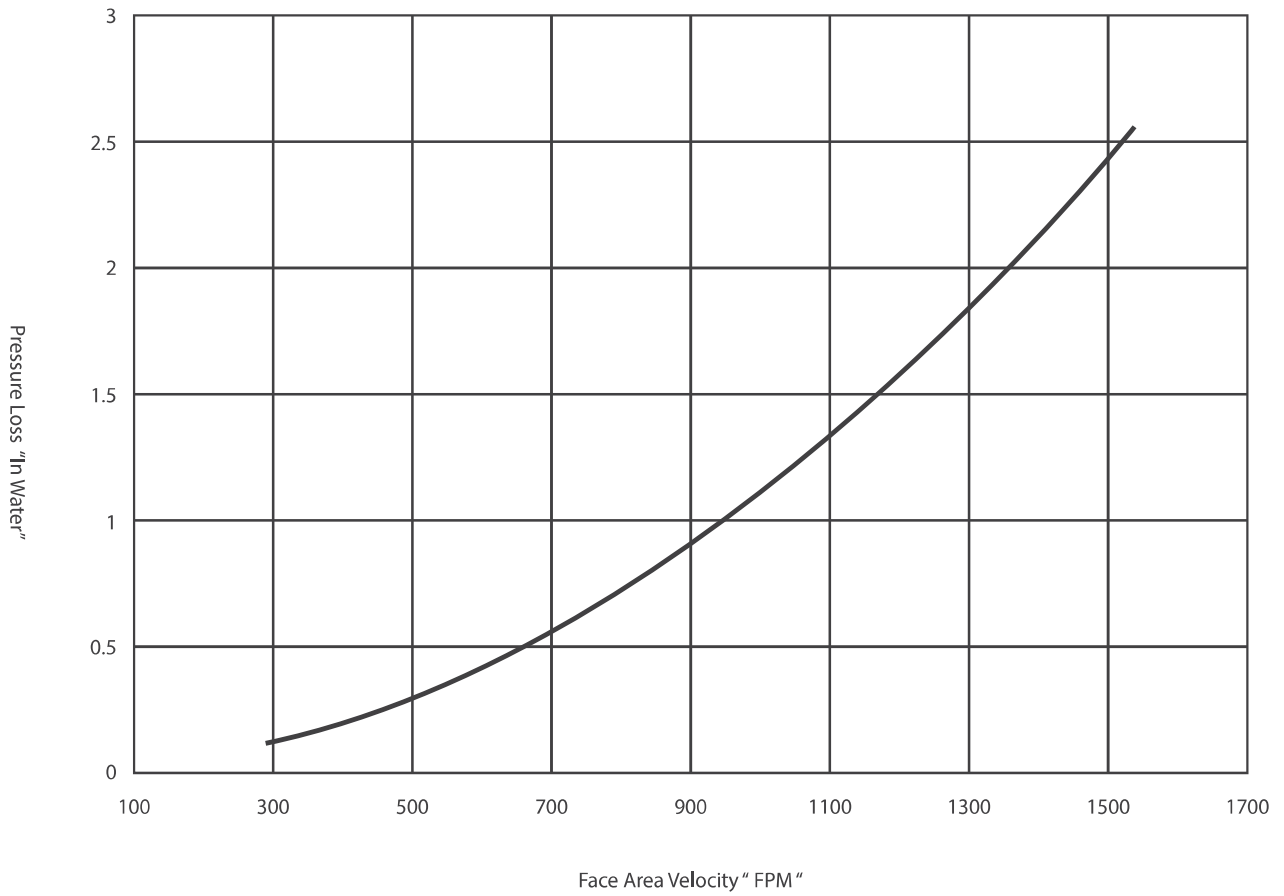
A. Type (ALV-EL) – Exhaust & Supply Louvers

Pressure Drop

1. Supply Louvers



2. Exhaust Louvers



- How to order

Type	ALV-EL	ALV-EL ALV-PH	Exhaust Louver Penthouse Louver
Size	24 X 24	Size Inch"	
Finish	1	0 1 2	Aluminum White Color Other Colors
Damper	0	0 1	Without Damper With Damper

Aluminum Louver products are manufactured by Khedr Trust Co.

Other Products are provided by Khedr Trust Co.

Diffusers & Grilles

- Squar Ceiling Diffuser
- Circular Ceiling Diffuser
- Slot Linear Diffuser
- Linear Bar Grille
- Aluminum Grille
- Swirl Diffuser
- Perforated Ceiling Diffuser
- Disc Valve Diffuser
- Jet Diffuser
- Eye Ball Diffuser
- Door Grille
- Raised Floor Grid

Louvers

- Aluminum Louver
- Sand Trap Louver

Dampers

- Blade Volume Damper
- Toothed Wheel Volume Damper
- Gravity Shutter Damper

Acoustics

- Sound Attenuator
- Acoustic Louver

Smoke Management

- Fire Damper
- Smoke Motorized Damper
- Smoke Vent

Duct Works

- Galvanized Steel Duct
- Black Steel Duct
- Stainless Steel Duct
- Spiral Duct
- Flexible Duct
- Canavas
- Flanges
- Flexible Duct Connector



Khedr Trust

ALL AIR PRODUCTS



Alqanater Alkhairia roads.Industrial Area, Behind Cocacola Co., Cairo, Egypt

Mailing Address : P.O.Box 13621, Cairo 11511 - Egypt

Tel : +202 42452022

Mob : +2010 29999054 / +2010 29999056

+2010 29999057 / +2010 29999058

E-Mail : info@khedr-eg.com



 / khedr.co

www.khedr-eg.com